

DATA SHEET

Kit for recessed machflow®

KT0009CS

General Description

- Kit for recessed machflow® hand dryer (**hand dryer not included**).
- The kit for recessed machflow® makes the machflow® hand dryer suitable for the compliance of the ADAAG norm (US) – that limits to 4" the horizontal projection of the devices installed in bathrooms for public use –, bestowing on that hand dryer the quality of "specific for the disabled".
- Maximum robustness and vandal-proofness.
- Excellent integration and aesthetical level.

Components & Materials

- **KT0010CS:** stainless steel AISI 304 kit for recessed Machflow hand dryer (hand dryer not included), satin finish.
- **CABINET:** made in two welded parts. The dryer mounting areas are fabricated of 18GA 18-8 type AISI304 stainless steel, it includes 4 M5 bolts welded on top of the base plate for fitting of the machflow® hand dryer.
- **FRAME:** made in 22GA 18-8 type AISI304 stainless steel with 4 screw holes of Ø 1/4" (6,5mm) for mounting on the wall.
- Nuts and bolts for the fitting of the hand dryer to the kit included: 4 nuts DIN 934 M5, 4 washers DIN 9021 M5 and 4 rubber silent blocks 8 x 18mm.

NOTE 1: Machflow hand dryer not included.

NOTE 2: The screws and wall plugs for the mounting of the cabinet to the wall are not included. The use of stainless steel screws is recommended.

Technical Specifications

Cabinet dimensions - 23 3/8" H x 14 3/4" W x 3" D	Rough Wall Opening - 21 5/8" H x 13" W x 3 3/8" D
---	---

Outer projection from the wall - 3 55/64"	Wall accommodation - 3 3/8" depth
---	-----------------------------------

Operation

No specific instructions for its use required.

Please mark the selected item



code

KT0009CS

material

stainless steel

finish

satin

Installation

Verify all rough-in dimensions prior to installation and proceed to install according to the dimensions recommended in the figures.

Guide specification

Kit for recessed machflow® hand dryer (**hand dryer not included**) consisted in two main parts: a cabinet and a frame. Cabinet should be made in two welded parts. The dryer mounting areas are fabricated of 18GA 18-8 type AISI304 stainless steel, it includes 4 M5 bolts welded on top of the base plate for fitting of the machflow® hand dryer. The frame is made in 22GA 18-8 type AISI304 stainless steel with 4 screw holes of Ø 1/4" (6,5mm) for mounting on the wall. Nuts and bolts for the fitting of the hand dryer to the kit included: 4 nuts DIN 934 M5, 4 washers DIN 9021 M5 and 4 rubber silent blocks 8 x 18mm.

Kit for recessed Machflow® hand dryer should be model KT0009CS, frame in stainless steel AISI 304, satin finish, manufactured by Saniflow Corp., 3325 NW 70th Avenue, Miami, FL 3312, USA.

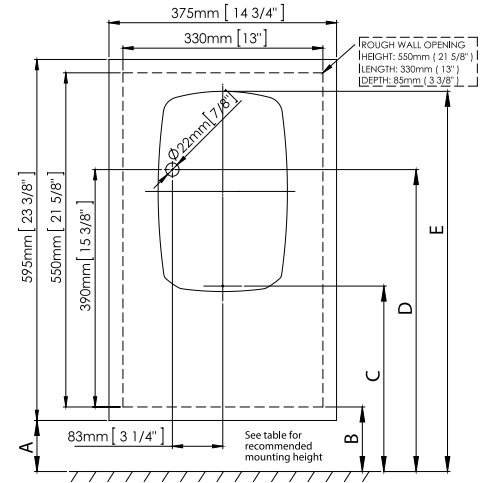
Overall dimensions:

KT0009CS:

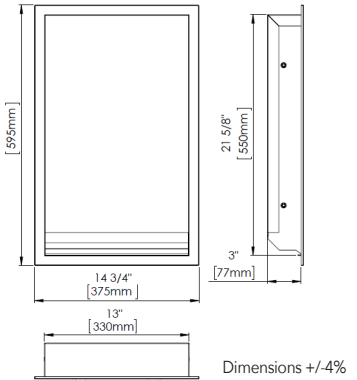
23 3/8" H x 14 3/4" W x 3" D.

Weight: 6,6 lbs (3 Kg) without Machflow hand dryer.

MOUNTING

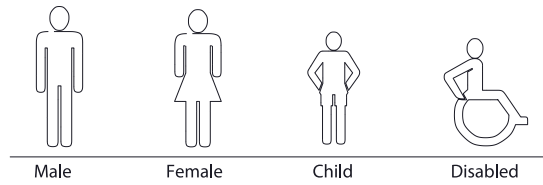


KT0009CS



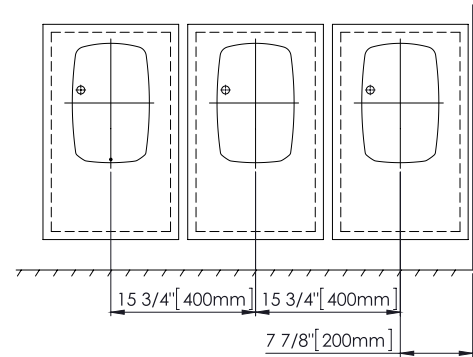
Dimensions +/-4%

Recommended heights from floor



	Male	Female	Child	Disabled
A To metal frame	38 7/8" (99cm)	36 7/8" (94cm)	29" (74cm)	31" (79cm)
B To wall opening	39 3/4" (101cm)	37 3/4" (96cm)	29 7/8" (76cm)	31 7/8" (81cm)
C To sensor top	47 5/8" (121cm)	45 5/8" (116cm)	37 3/4" (96cm)	39 3/4" (101cm)
D To electrical entry point	55 1/8" (140cm)	53 1/8" (135cm)	45 1/4" (115cm)	47 1/4" (120cm)
E To top of machine	60 1/4" (153cm)	58 1/4" (148cm)	50 3/8" (128cm)	52 3/8" (133cm)

Serial mounting



Job: _____

Model number: _____

Variations: _____

Architect / Engineer: _____

Contractor: _____

Customer / Wholesaler: _____

City / State / Country: _____

Date: _____

Quantity: _____

Saniflow Corp reserves the right to make changes and/or modifications to the products and their specifications without warning or notice.

For further info please contact SANIFLOW on: Toll free: **1-877-222-9125** or visit our website at **www.saniflowcorp.com**

Tel: +1 (305) 424 2433 Fax: +1 (305) 424 2435 · **sales@saniflowcorp.com**